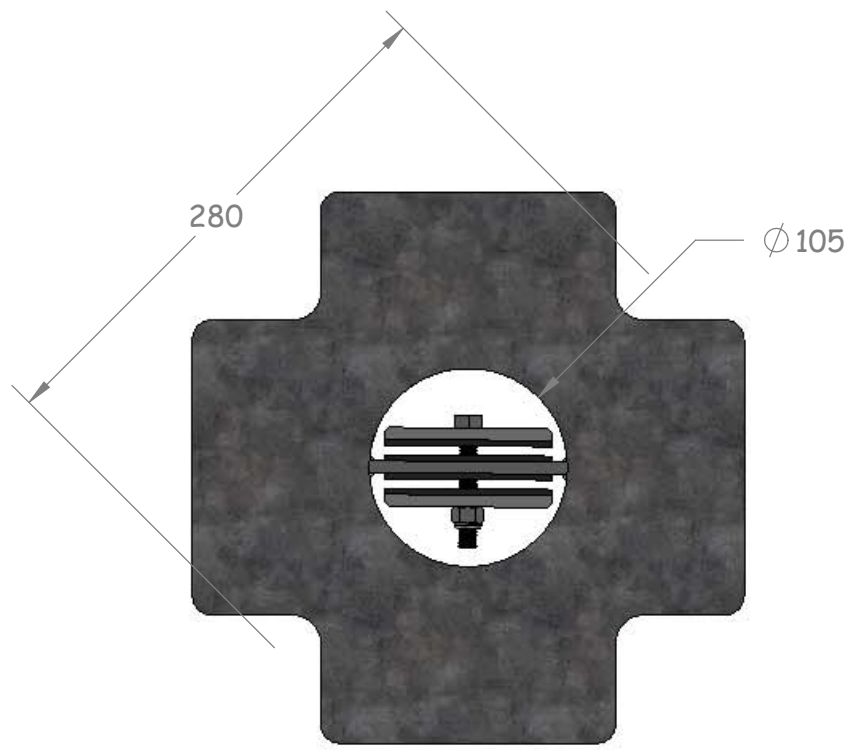
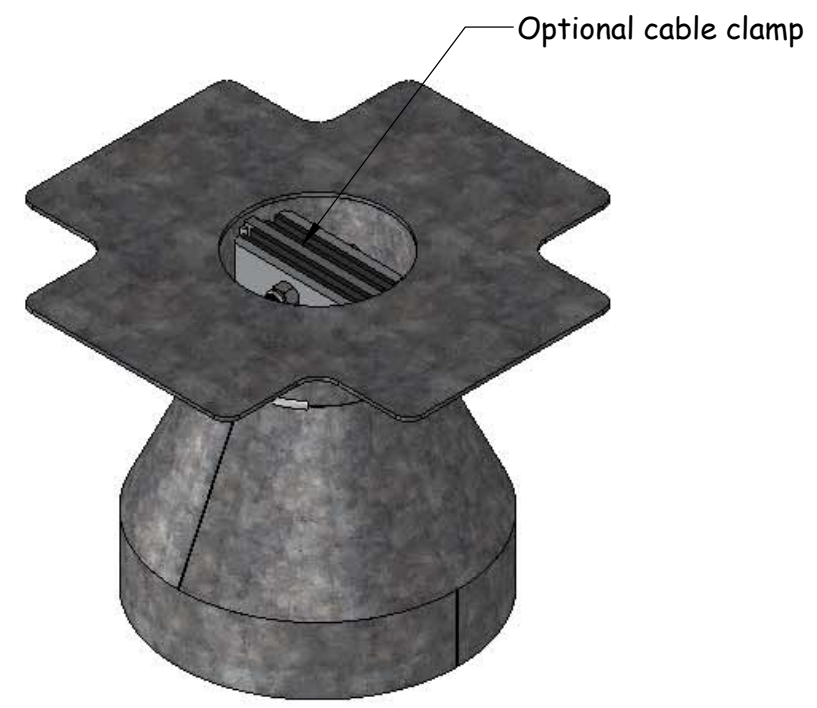
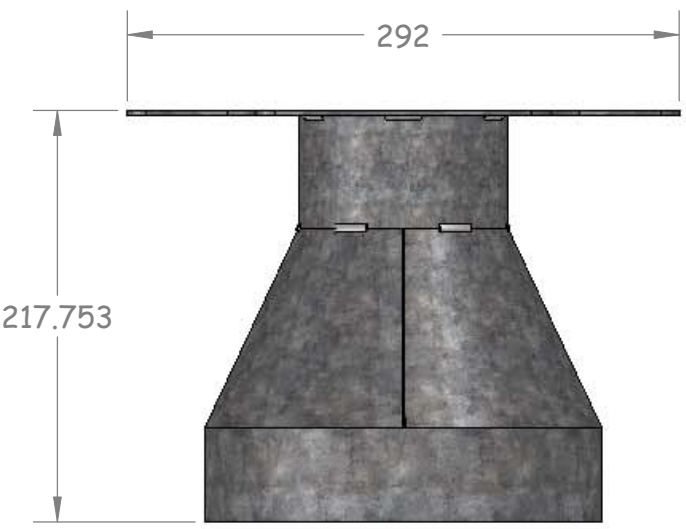


D
C
B
A



WS200FB_T2 is designed to fit into the Frangible base for a Type 2 Pole shaft
To be used in conjunction with the WS200_305

Steel Specification ASTM-A653-09A-SS GR.33

US PATENT NUMBER 7,723,612 - CANADIAN PATENT PENDING

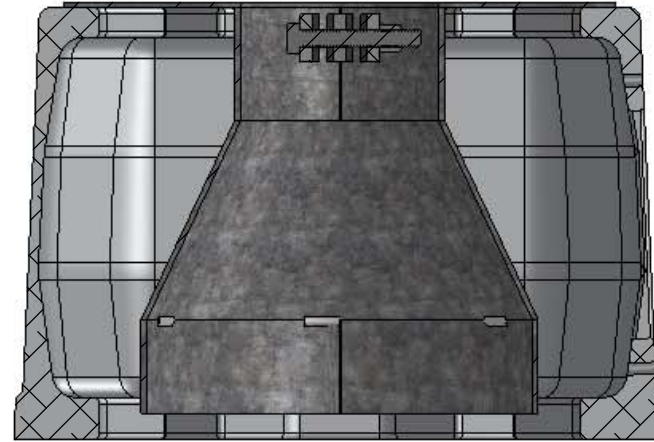
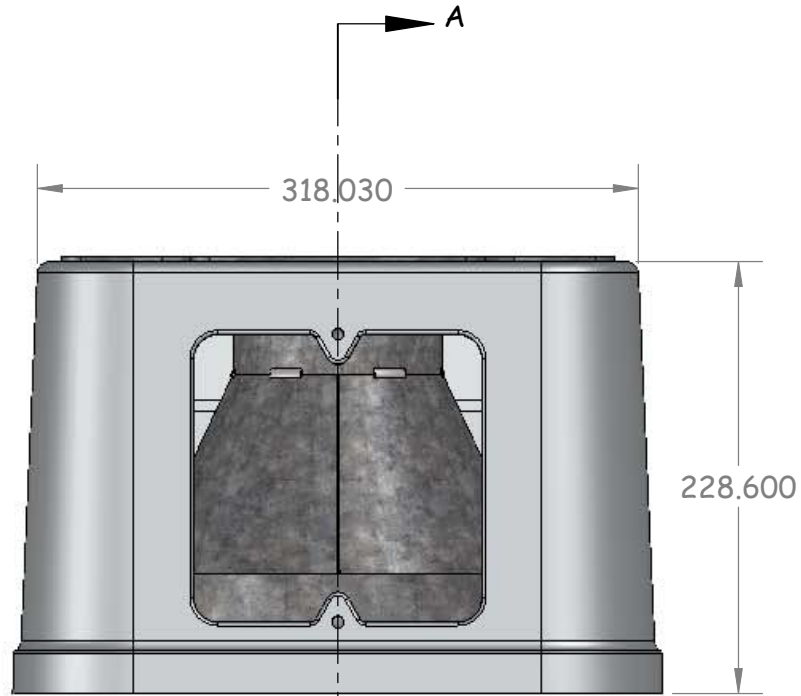
PROPRIETARY AND CONFIDENTIAL
THE INFORMATION CONTAINED IN THIS DRAWING IS THE SOLE PROPERTY OF TRANS CANADA TRAFFIC INC. ANY REPRODUCTION IN PART OR AS A WHOLE WITHOUT THE WRITTEN PERMISSION OF TRANS CANADA TRAFFIC INC IS PROHIBITED.

UNLESS OTHERWISE SPECIFIED:		NAME	DATE
DIMENSIONS ARE IN MM		DRAWN	TE
TOLERANCES:		CHECKED	1/31/2012
FRACTIONAL ±		ENG APPR.	
ANGULAR: MACH ± BEND ±		MFG APPR.	
TWO PLACE DECIMAL ±		Q.A.	
THREE PLACE DECIMAL ±		COMMENTS:	
INTERPRET GEOMETRIC TOLERANCING PER:			
MATERIAL			
Material <not specified>			
FINISH			
Galvanized			
DESCRIPTION	DATE		
REVISIONS			
DO NOT SCALE DRAWING			



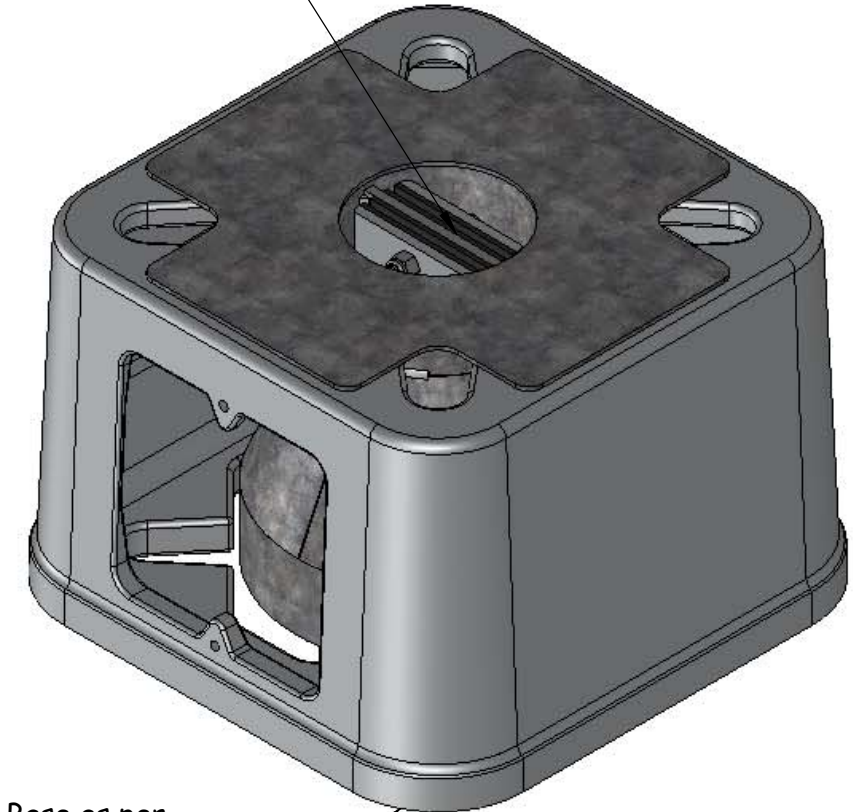
TITLE:		
Wiresentry for Frangible Base		
SIZE DWG. NO.	REV	
B WS200FB_T2	1	
SCALE: 1:4	WEIGHT: 8.62	SHEET 1 OF 6

D



SECTION A-A

Optional cable clamp



Aluminum Frangible Base as per British Columbia Ministry Of Transportation Specification Drawing No. MS340.1

C

B

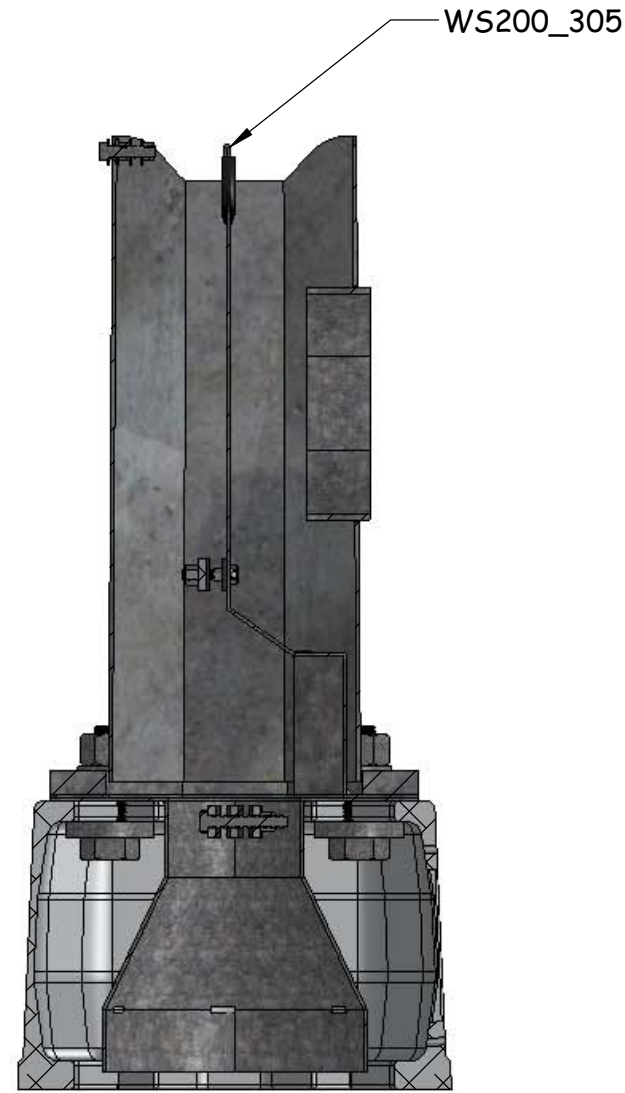
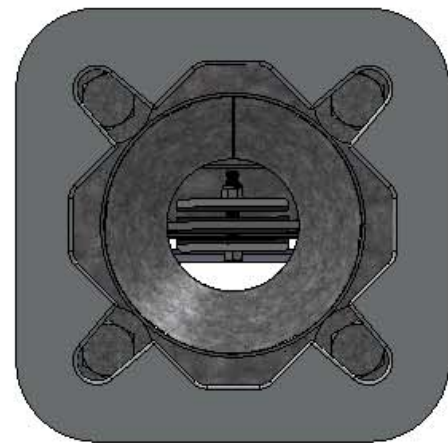
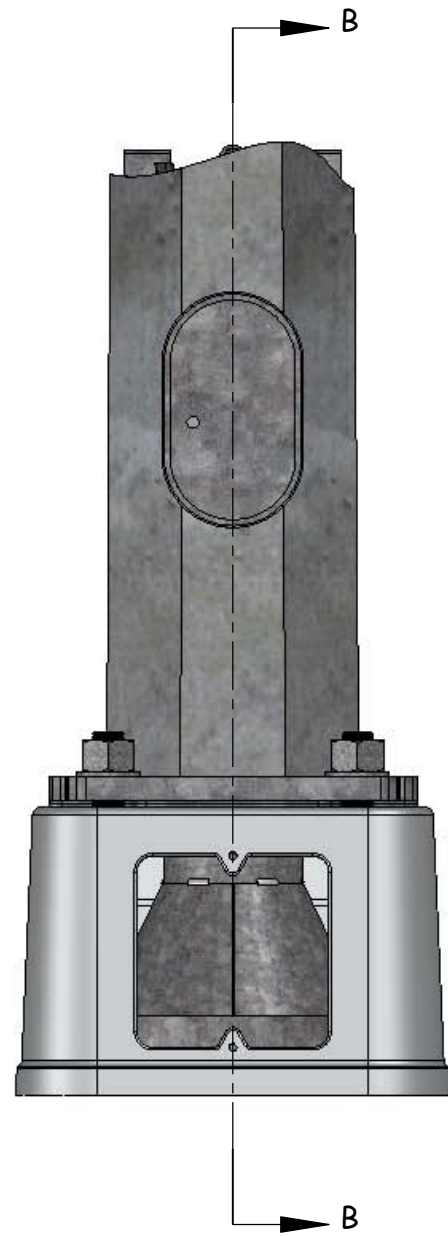


A

US PATENT NUMBER 7,723,612 - CANADIAN PATENT PENDING

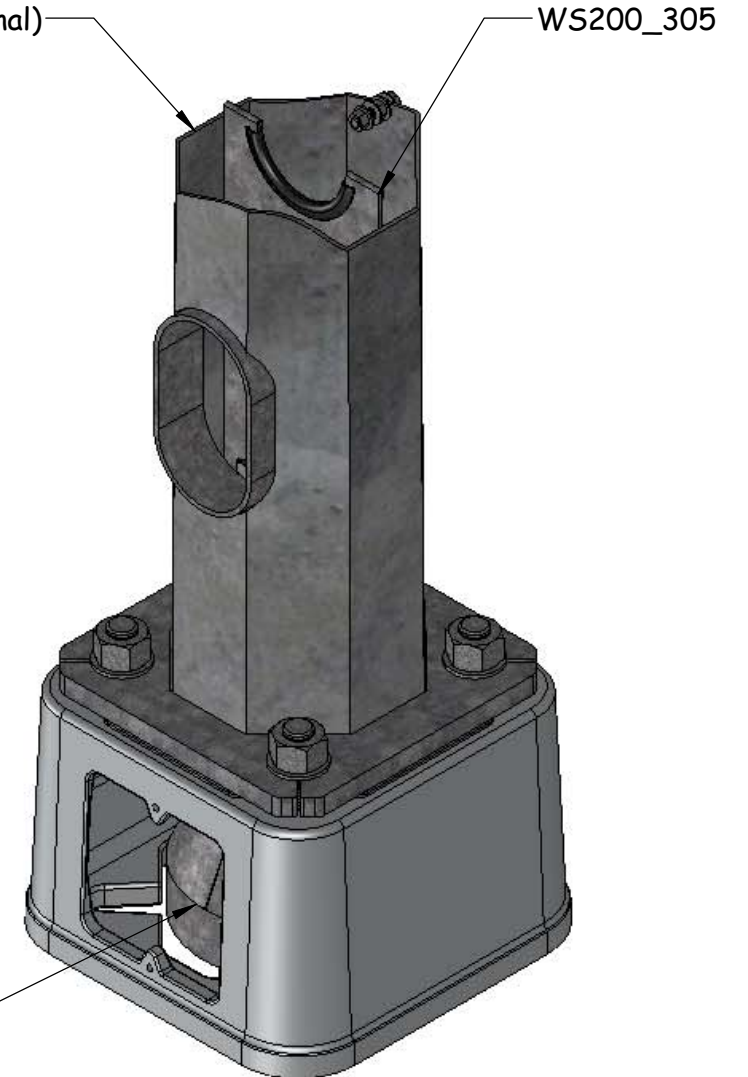
PROPRIETARY AND CONFIDENTIAL
 THE INFORMATION CONTAINED IN THIS DRAWING IS THE SOLE PROPERTY OF TRANS CANADA TRAFFIC INC. ANY REPRODUCTION IN PART OR AS A WHOLE WITHOUT THE WRITTEN PERMISSION OF TRANS CANADA TRAFFIC INC IS PROHIBITED.

UNLESS OTHERWISE SPECIFIED:		NAME	DATE	
DIMENSIONS ARE IN MM		DRAWN	TE	
TOLERANCES:		CHECKED		TITLE: WS200FB_T2 In Frangible Base
FRACTIONAL ±		ENG APPR.		
ANGULAR: MACH ± BEND ±		MFG APPR.		
TWO PLACE DECIMAL ±		Q.A.		SIZE DWG. NO. REV B WS200FB_T2 2
THREE PLACE DECIMAL ±		COMMENTS:		
INTERPRET GEOMETRIC TOLERANCING PER:				SCALE: 1:4 WEIGHT: SHEET 5 OF 6
MATERIAL				
FINISH				
DESCRIPTION	DATE			
REVISIONS	DO NOT SCALE DRAWING			



SECTION B-B

British Columbia MMCD
Type 2 Shaft (Octogonal)



Aluminum Frangible Base as per
British Columbia Ministry Of Transportation
Specification Drawing No. MS340.1

US PATENT NUMBER 7,723,612 - CANADIAN PATENT PENDING

PROPRIETARY AND CONFIDENTIAL
THE INFORMATION CONTAINED IN THIS DRAWING IS THE SOLE PROPERTY OF TRANS CANADA TRAFFIC INC. ANY REPRODUCTION IN PART OR AS A WHOLE WITHOUT THE WRITTEN PERMISSION OF TRANS CANADA TRAFFIC INC IS PROHIBITED.

UNLESS OTHERWISE SPECIFIED:		NAME	DATE
DIMENSIONS ARE IN MM		DRAWN	TE
TOLERANCES:		CHECKED	4/18/2012
FRACTIONAL ±		ENG APPR.	
ANGULAR: MACH ± BEND ±		MFG APPR.	
TWO PLACE DECIMAL ±		Q.A.	
THREE PLACE DECIMAL ±		COMMENTS:	
INTERPRET GEOMETRIC TOLERANCING PER:			
MATERIAL			
FINISH			
DESCRIPTION	DATE		
REVISIONS	DO NOT SCALE DRAWING		

TCT Trans Canada Traffic Inc.		
TITLE: WS200_305 and WS200FB_T2 In Pole		
SIZE DWG. NO. B	WS200FB_T2	REV 2
SCALE: 1:6	WEIGHT:	SHEET 6 OF 6