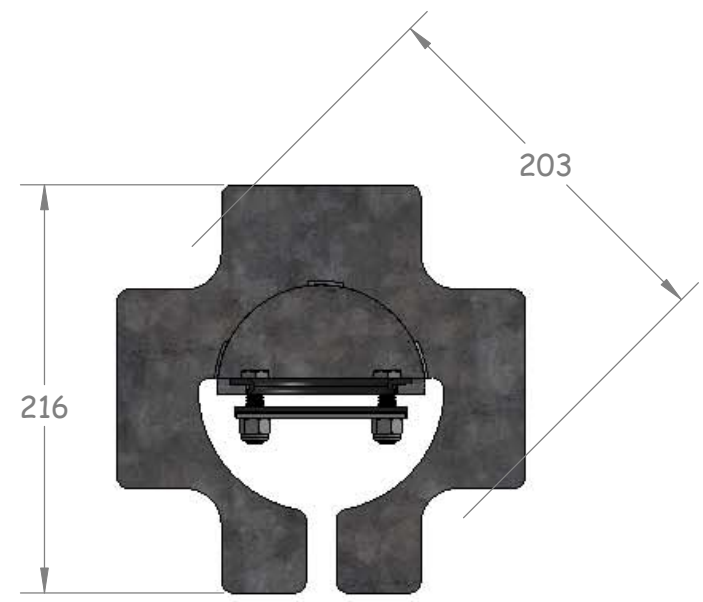
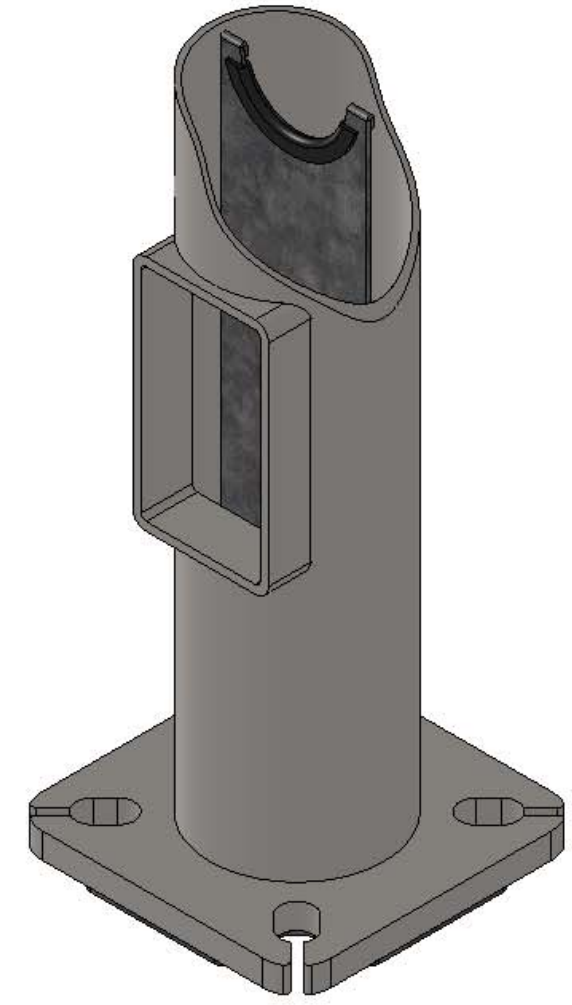
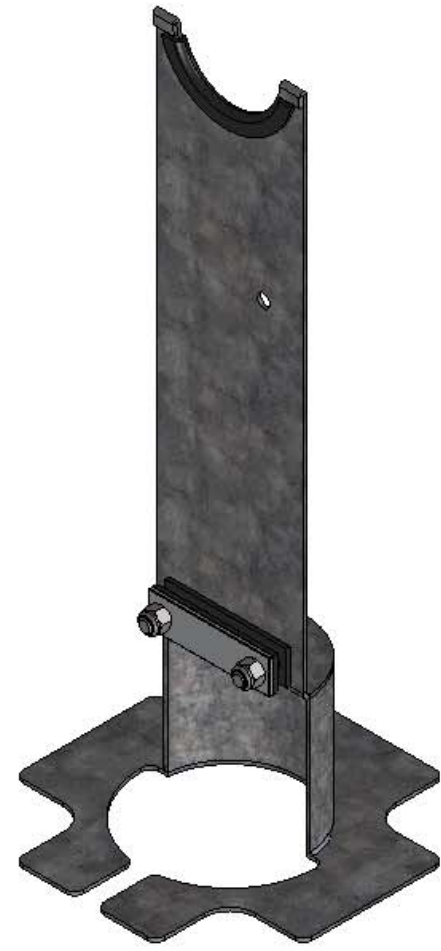
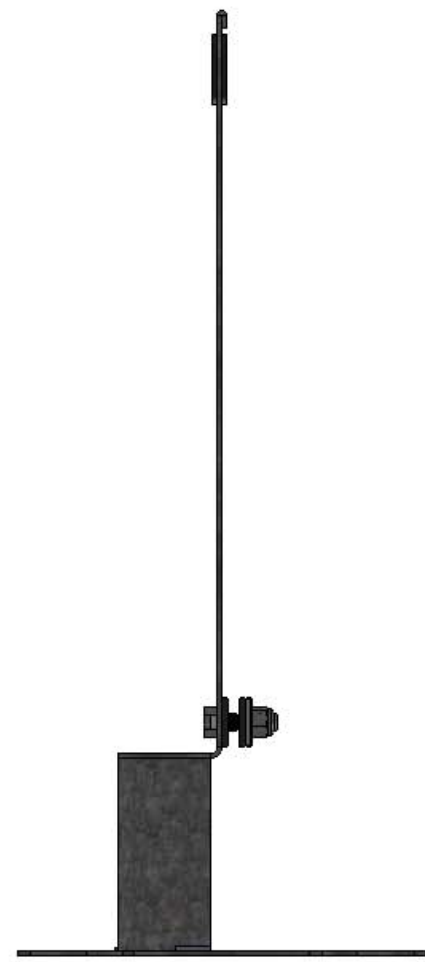
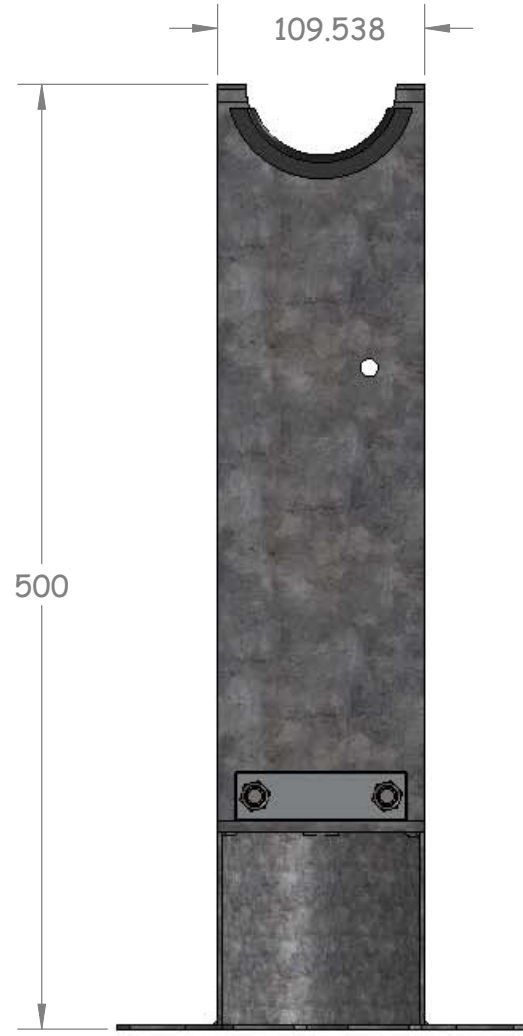


8 7 6 5 4 3 2 1

D  
C  
B  
A

D  
C  
B  
A



US PATENT NUMBER 7,723,612 - CANADIAN PATENT PENDING

Produced by  
**WireSentry™**  
U.S. Patent No. 7,723,612

**PROPRIETARY AND CONFIDENTIAL**  
THE INFORMATION CONTAINED IN THIS DRAWING IS THE SOLE PROPERTY OF TRANS CANADA TRAFFIC INC. ANY REPRODUCTION IN PART OR AS A WHOLE WITHOUT THE WRITTEN PERMISSION OF TRANS CANADA TRAFFIC INC IS PROHIBITED.

UNLESS OTHERWISE SPECIFIED:		NAME	DATE
DIMENSIONS ARE IN MM		DRAWN	TE
TOLERANCES:		CHECKED	4/5/2012
FRACTIONAL ±		ENG APPR.	
ANGULAR: MACH ± BEND ±		MFG APPR.	
TWO PLACE DECIMAL ±		Q.A.	
THREE PLACE DECIMAL ±		COMMENTS:	
DESCRIPTION	DATE		
REVISIONS		DO NOT SCALE DRAWING	



TITLE: WS for 5" Round Pole - 216mm BP

Part No. WS130R\_305\_216

SIZE DWG. NO. **B**WS130\_R\_305\_216\_GeneralAssy REV

SCALE: 1:4 WEIGHT: 1860.95 SHEET 1 OF 1

8 7 6 5 4 3 2 1