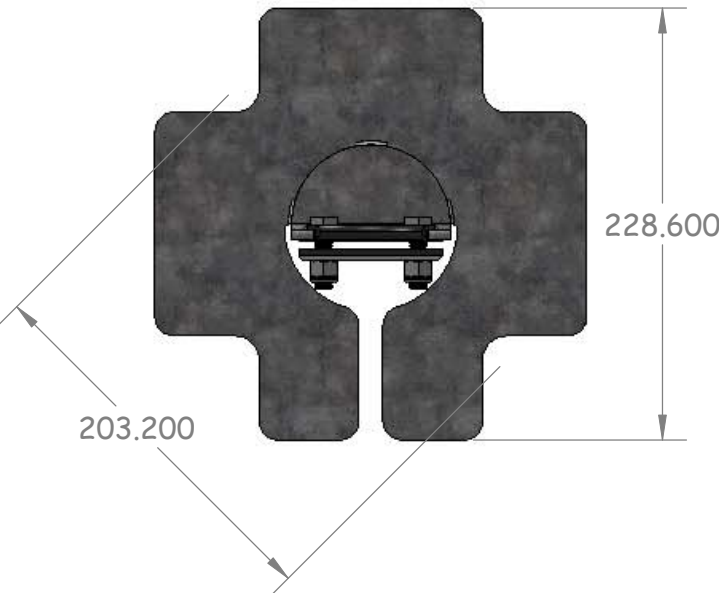
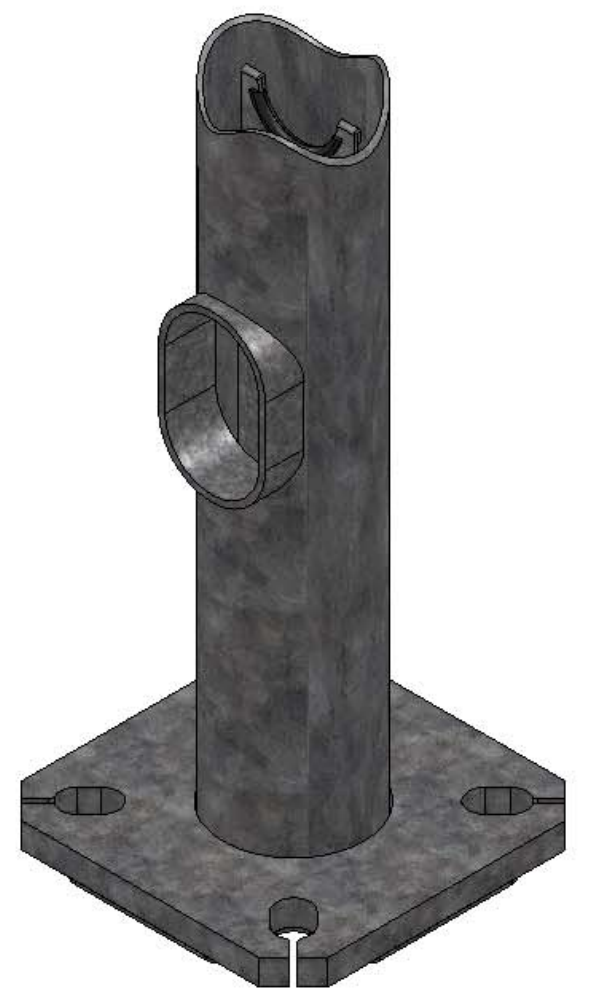


D
C
B
A

D
C
B
A



US PATENT NUMBER 7,723,612 - CANADIAN PATENT PENDING

Proprietary by
WireSentry™
U.S. Patent No. 7,723,612

PROPRIETARY AND CONFIDENTIAL

THE INFORMATION CONTAINED IN THIS DRAWING IS THE SOLE PROPERTY OF TRANS CANADA TRAFFIC INC. ANY REPRODUCTION IN PART OR AS A WHOLE WITHOUT THE WRITTEN PERMISSION OF TRANS CANADA TRAFFIC INC IS PROHIBITED.

UNLESS OTHERWISE SPECIFIED:		NAME	DATE
DIMENSIONS ARE IN MM		DRAWN	TE
TOLERANCES:		CHECKED	5/7/2012
FRACTIONAL ±		ENG APPR.	
ANGULAR: MACH ± BEND ±		MFG APPR.	
TWO PLACE DECIMAL ±		Q.A.	
THREE PLACE DECIMAL ±		COMMENTS:	
DESCRIPTION	DATE		
REVISIONS		DO NOT SCALE DRAWING	

TCT Trans Canada Traffic Inc.

TITLE: WireSentry for 4" dia pole and 9x9" BP

Part No. WS100R_305_228

SIZE DWG. NO. **B** WS100R_305_GeneralAssy REV

SCALE: 1:4 WEIGHT: 3.84 SHEET 1 OF 1