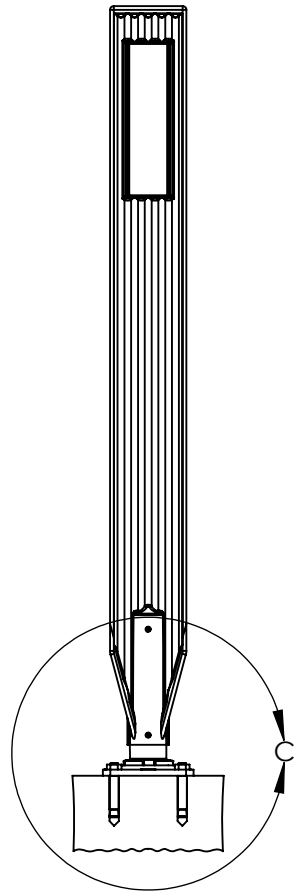
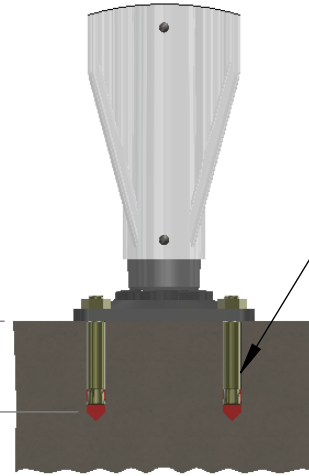


FULL INSTALLATION DETAILS CAN BE FOUND ON OUR JMB INFORMATION SHEET - "Spring Return Guide Post & Surface Mount Plate - Installation Instructions"  
 GOTO THE DOWNLOADS PAGE AT [www.jmb-signposts.com](http://www.jmb-signposts.com)



DRILL TO MANUFACTURERS  
 RECOMMENDED ENGAGEMENT  
 DEPTH (SEE BELOW FOR  
 GENERAL INFORMATION)

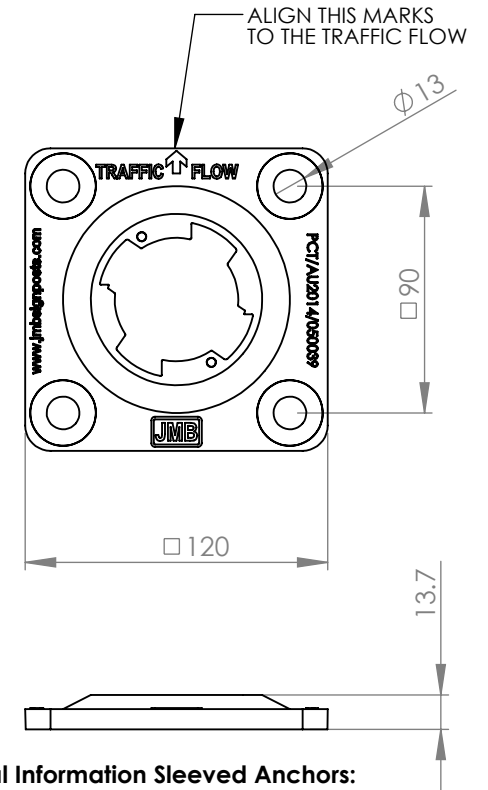
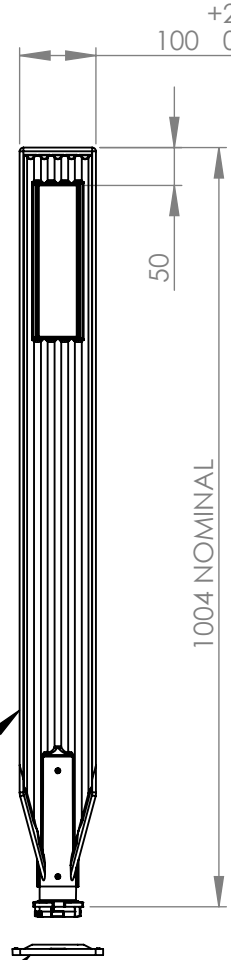


SLEEVED ANCHORS  
 SHOWN

DETAIL C  
 SCALE 1 : 5

G2170201

BP420



**General Information Sleeved Anchors:**

- OPTION 1:  
 ANCHOR:  $\varnothing 10 \times 50$  (M8 Thread)  
 Drill Hole:  $\varnothing 10 \times 55$   
 Tightening Torque - 35Nm  
 OPTION 2:  
 ANCHOR:  $\varnothing 12 \times 60$  (M10 Thread)  
 Drill Hole:  $\varnothing 12 \times 70$   
 Tightening Torque - 55Nm

**General Information Screw In Anchors:**

- OPTION 1:  
 ANCHOR: M8 x 60  
 Drill Hole:  $\varnothing 8 \times 75$   
 Tightening Torque - 40Nm  
 OPTION 2:  
 ANCHOR: M10 x 60  
 Drill Hole:  $\varnothing 10 \times 80$   
 Tightening Torque - 60Nm

**BRIEF GUIDELINES FOR FITTING THE "SURFACE MOUNT" SPRING RETURN GUIDE POSTS**

(Anchor Manufacturers instructions and local regulations should always take precedent over these installation guidelines)

1. POSITION THE BASE PLATE AND ORINTATE THE INDICATOR MARKS TO THE DIRECTION OF TRAFFIC
2. DRILL HOLES THROUGH THE BASE PLATE TO THE CORRECT DEPTH
3. CLEAN DUST OUT OF THE HOLES
4. TAP THE ANCHOR BOLTS THROUGH THE BASE HOLES USING A SOFT HAMMER
5. TIGHTEN THE NUTS TO RECOMMENDED TORQUE

**TIP:** USE THE BASE PLATE AS A DRILLING TEMPLATE

**NOTE:** FURTHER INSTALLATION DETAILS CAN BE FOUND ON OUR JMB INFORMATION SHEET - "Spring Return Guide Post & Surface Mount Plate - Installation Instructions"  
 GOTO THE DOWNLOADS PAGE AT [www.jmb-signposts.com](http://www.jmb-signposts.com)

SCALE	NTS	ALL DIMENSIONS IN MILLIMETERS	QUANTITY	1	DO NOT SCALE IF IN DOUBT ASK
CHECKED	ICB		MATERIAL	NA	
LAST UPDATE	12/01/2015	FINISH	NA	DESCRIPTION SPRING RETURN GUIDE POSTS TECHNICAL INFORMATION SHEET 1 GENERAL SURFACE MOUNT INSTALLATION INFORMATION	
DRAWN	Ian Brodie	DATE	07/07/2014		

**JMB MANUFACTURING PTY LTD**

24 BRIGID BOULEVARD  
 AUSTINE HEIGHTS  
 QLD AUSTRALIA 4300  
 PH. 07 3814 7882  
 FAX. 07 3814 7884



ACAD FILE NAME	SH. 4
Generation 2 Products -Technical Information	
Part: SRGP Tech Drawing Assy 1	OF 5